

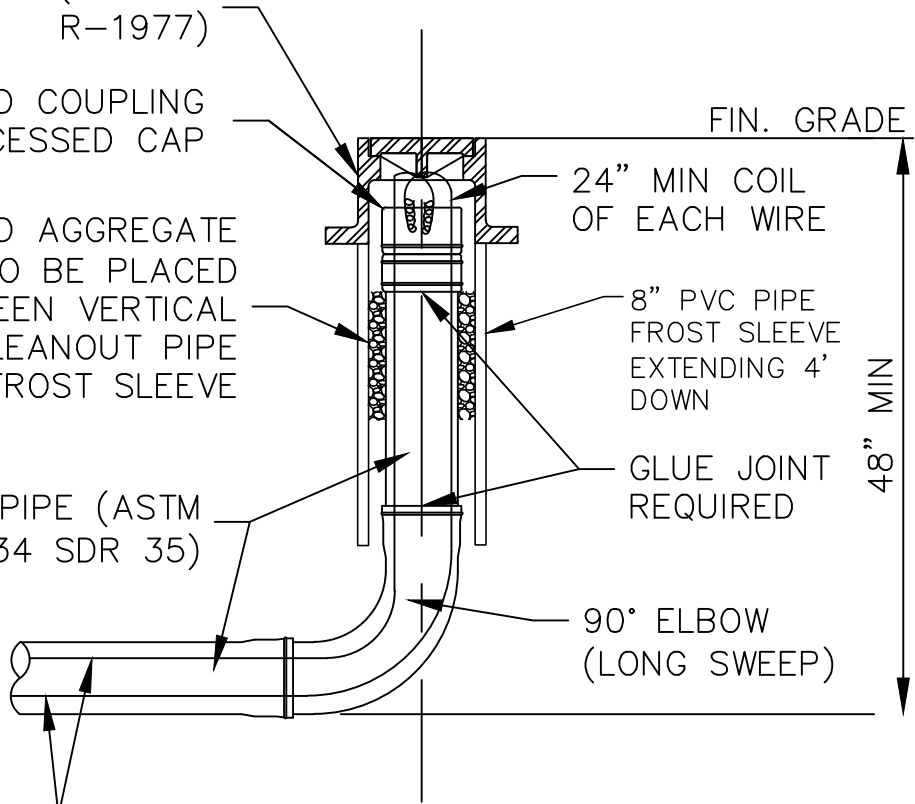
D.I. FROST SLEEVE (NEENAH R-1977)

THREADED COUPLING & RECESSED CAP

3/8" CRUSHED AGGREGATE STONE TO BE PLACED BETWEEN VERTICAL CLEANOUT PIPE AND FROST SLEEVE

6" PVC PIPE (ASTM D3034 SDR 35)

DETECTORWIRE TAPED TO MAIN COLOR=GREEN



NOTE ALL PIPES MUST HAVE PITCH TO THE INLET OR MANHOLE. INSULATION AS PER COMM 82 IS REQUIRED WHEN THE 48 IN. BURY DEPTH CAN'T BE ACHIEVED. ANY INSTALLATION LESS THEN 48 IN. MUST BE APPROVED BY THE CITY BEFORE CONSTRUCTION.



### SUMP LINE END OF LINE CLEANOUT

REVISED: September, 2022

#6B